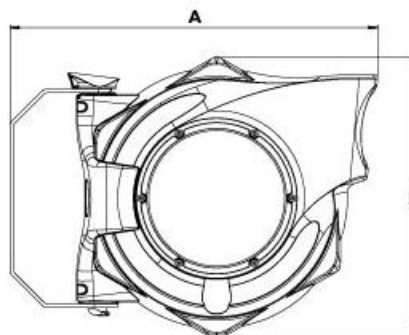


Easy mounting on the wall or ceiling.

Closed, rugged, impact-resistant housing made of POM. Includes a thermal circuit breaker. In case of overloading, a thermal overload protective circuit cuts off the electrical power supply automatically

Input	Rubber H07RN-F 3 x 1,5mm <sup>2</sup>
Hose assembly	UV resistant, oil resistant, cold resistant, mechanical resistance
Operating voltage	max. 240 V
Current max.	10 Ampère
Connection	SchuKo plug
Power input	Max. 1600 W (fully wound), max. 2400 W (fully unwound)
Swivel angle	180 °



### Cable reel

Art. No.	Type No.	Cable length m	A mm	B mm
202193	EKR240V10M	10	406,0	313,0
174140	259/5150-1	17	490.0	409.0